



Takeup Bearing Covers

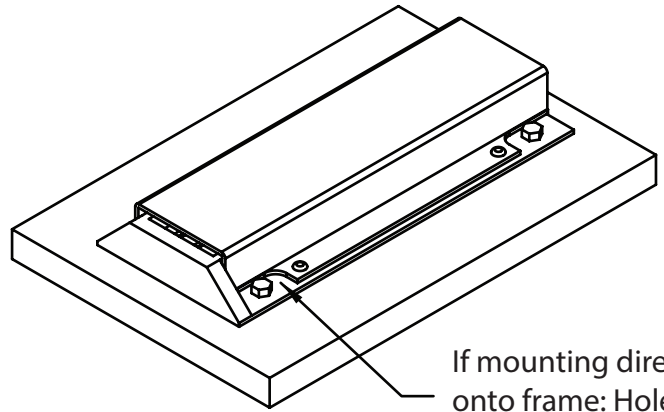
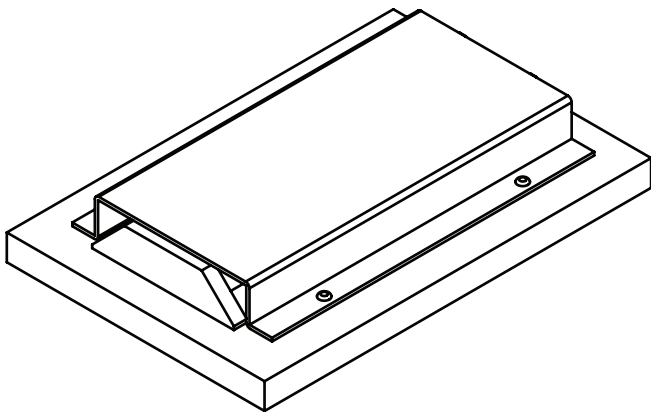
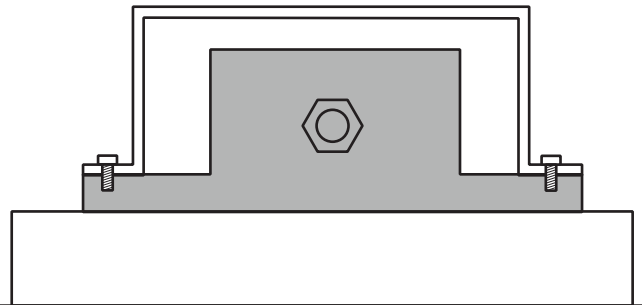
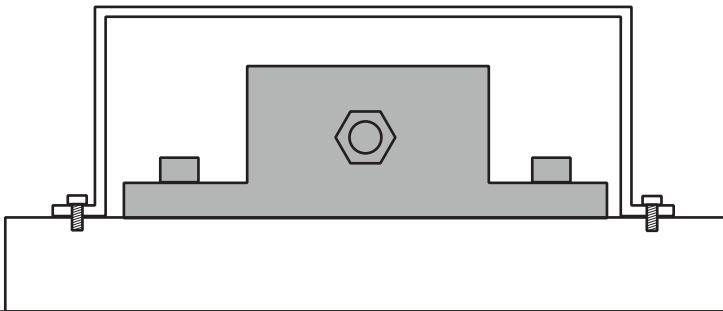
Pg 1 Mounting types, picking a guard

Pg 2 Measuring from a guard

Pg 3 Final Part Dimensions & calculations

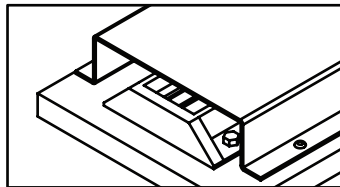
Mounting past the bearing frame

Mounting on the bearing frame

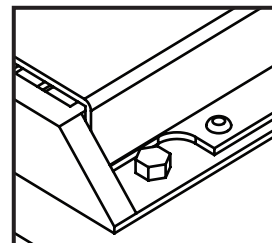


If mounting directly onto frame: Holes will need to be cut to accomodate bolts. Do not mount on top of the plastic guard, as you won't be able to tighten the takeup frame properly.

If mounting past the bearing frame be careful not to oversize the guard as the gaps between guard and bearing might be too large. See guarding standard ANSI B11.19 -table E.3 for reference



Ex. This guard is too large.



Contact Info:

Company Name _____

Phone _____

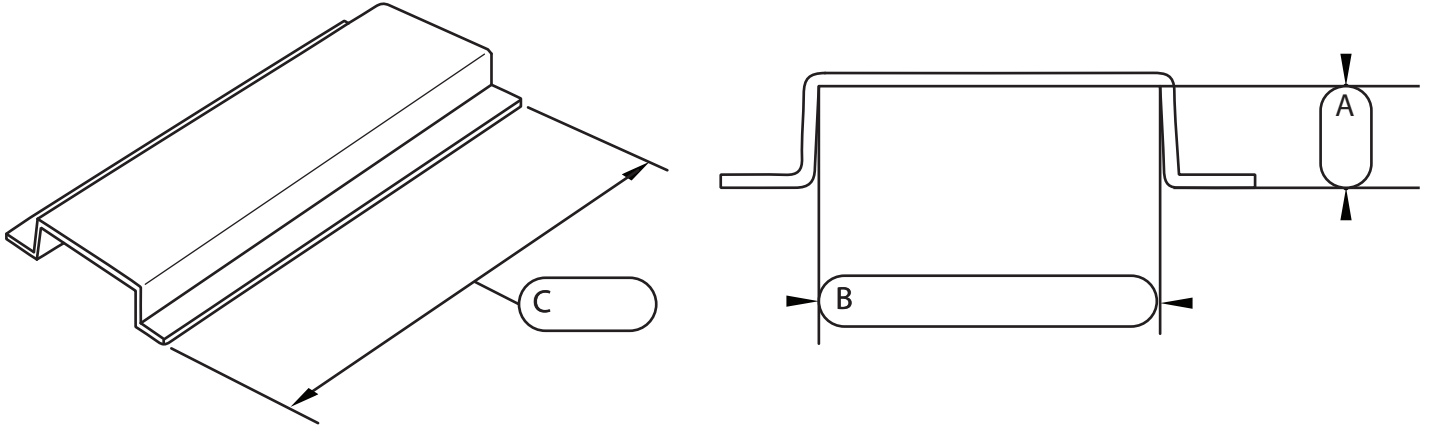
Name _____

Email _____

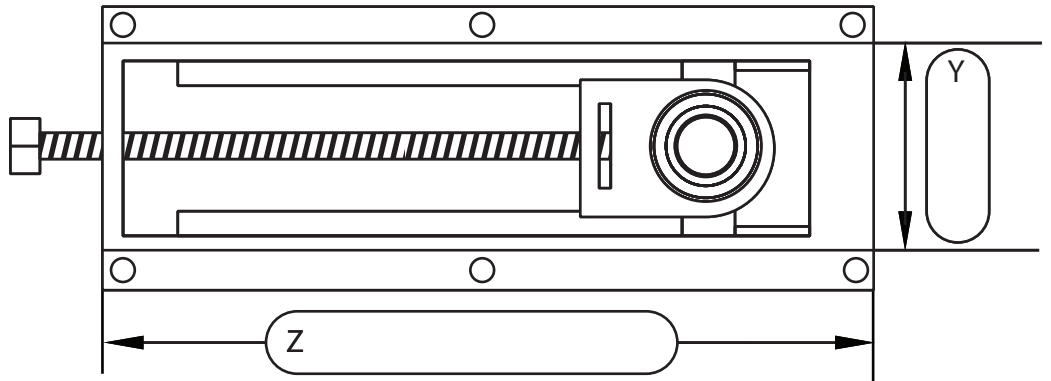


Takeup Bearing Covers

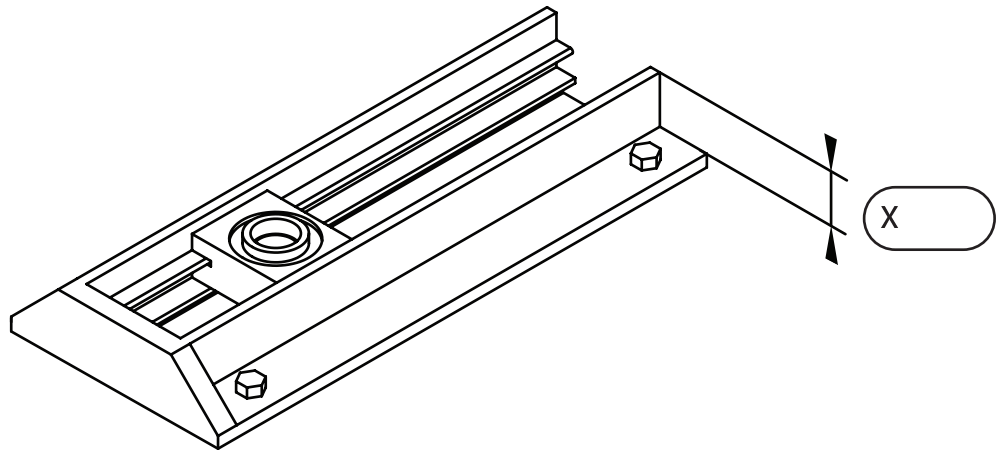
-Measuring for mounting on bearing frame



- A = X + T
- B = Y + T
- C = Z + T
- Tolerance(T) =
- A =
- B =
- C =



Machine Guard suggests adding Tolerance (gap between guard and machine) of at least 1/2" for larger parts add more.



Contact Info:

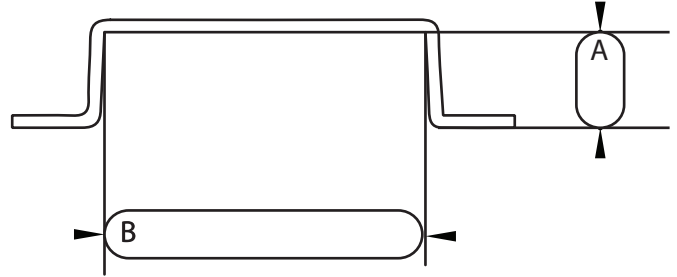
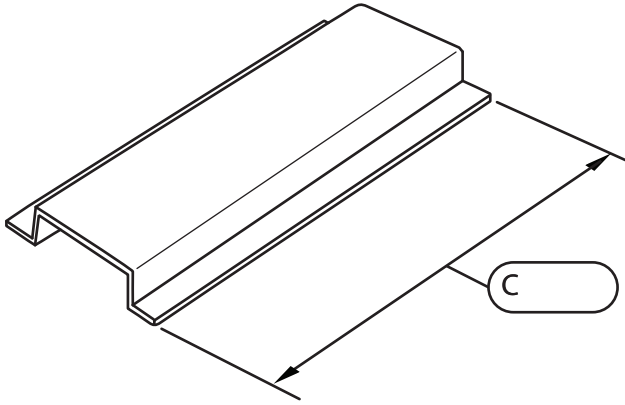
Company Name _____ Phone _____

Name _____ Email _____

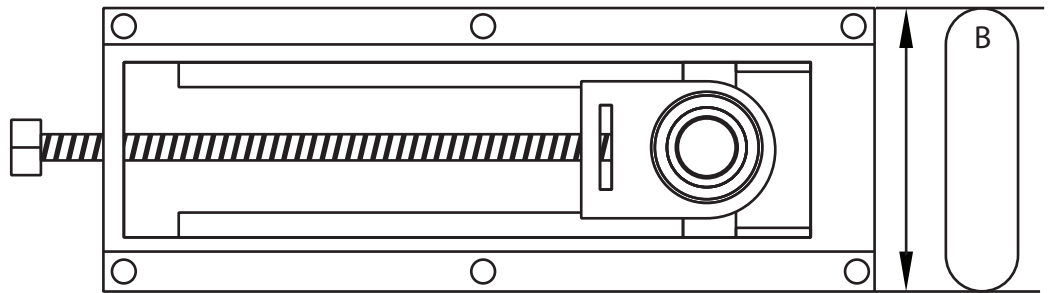


Takeup Bearing Covers

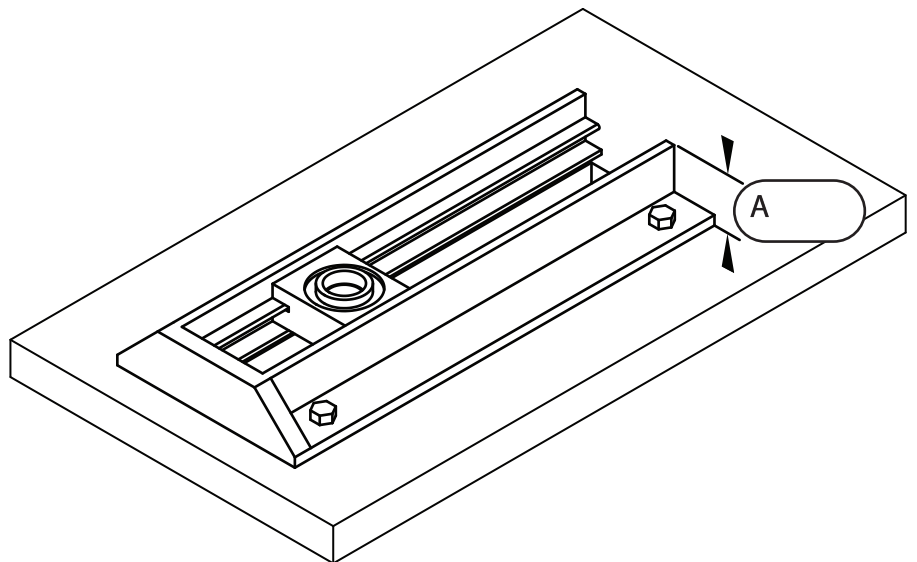
-Measuring for mounting past the bearing frame



A =
B =
C =
Tolerance(T) =



Machine Guard suggests adding Tolerance (gap between guard and machine) of at least 1/2" for larger parts add more.



Contact Info:

Company Name _____ Phone _____

Name _____ Email _____