



Machine Guard & Cover Co.

6187 136th Avenue, Holland, MI 49424

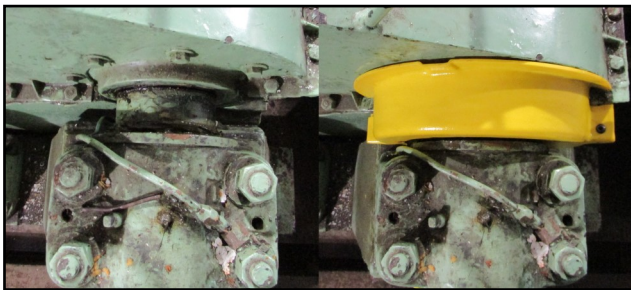
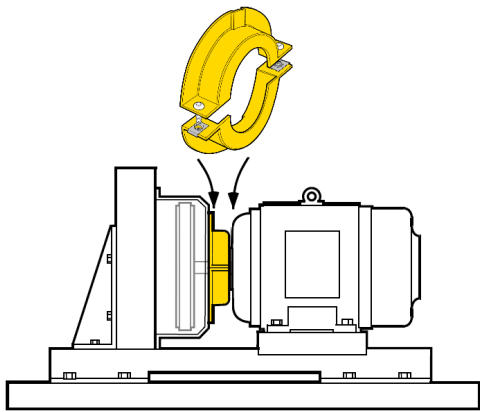
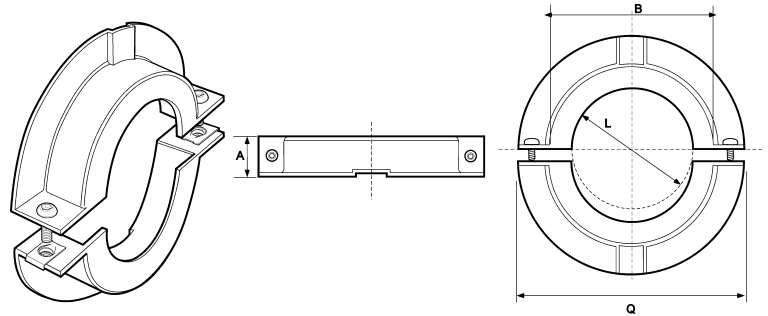
888.482.7371 www.machineguard.com

Split Round Guards

Machine Guard & Cover Co. is pleased to announce the launch of its Split Round Guard family; designed to easily and safely point guard the gap that commonly occurs in power transmission systems.

Although seemingly a minor hazard location, guarding this safety hazard can prevent injury and even fatalities in the workplace.

We are adding part numbers to this family rapidly, so please contact us if you do not see the sizes you need.



This before and after image shows an installed Split Round Guard point guarding the gap between a bushing (at bottom) and a gearbox (at top).

Part Number	Height "A"	Diameter "B"	Center Cut Out Max "L"
SPR0.875x3	7/8	3	2
SPR.75x6	3/4	6	5
SPR1x6	1	6	5
SPR1.25x6	1 1/4	6	5
SPR1.5x6	1 1/2	6	5
SPR1.75x5	1 3/4	6	5
SPR2x6	2	6	5
SPR2.25x10	2 1/4	6	5
SPR2.5x6	2 1/2	6	5
SPR2.75x6	2 3/4	6	5
SPR3x6	3	6	5
SPR3.5x6	3 1/2	6	5
SPR1.25x10	1 1/4	10	9
SPR1.5x10	1 1/2	10	9
SPR1.75x10	1 3/4	10	9
SPR2x10	2	10	9
SPR2.25x10	2 1/4	10	9
SPR2.5x10	2 1/2	10	9
SPR2.75x10	2 3/4	10	9
SPR3x10	3	10	9

Please consult our catalog for a complete product listing.

Products manufactured by:



Machine Guard & Cover Co.

6187 136th Avenue, Holland, MI 49424

888.482.7371 www.machineguard.com

We've Got You Covered

