

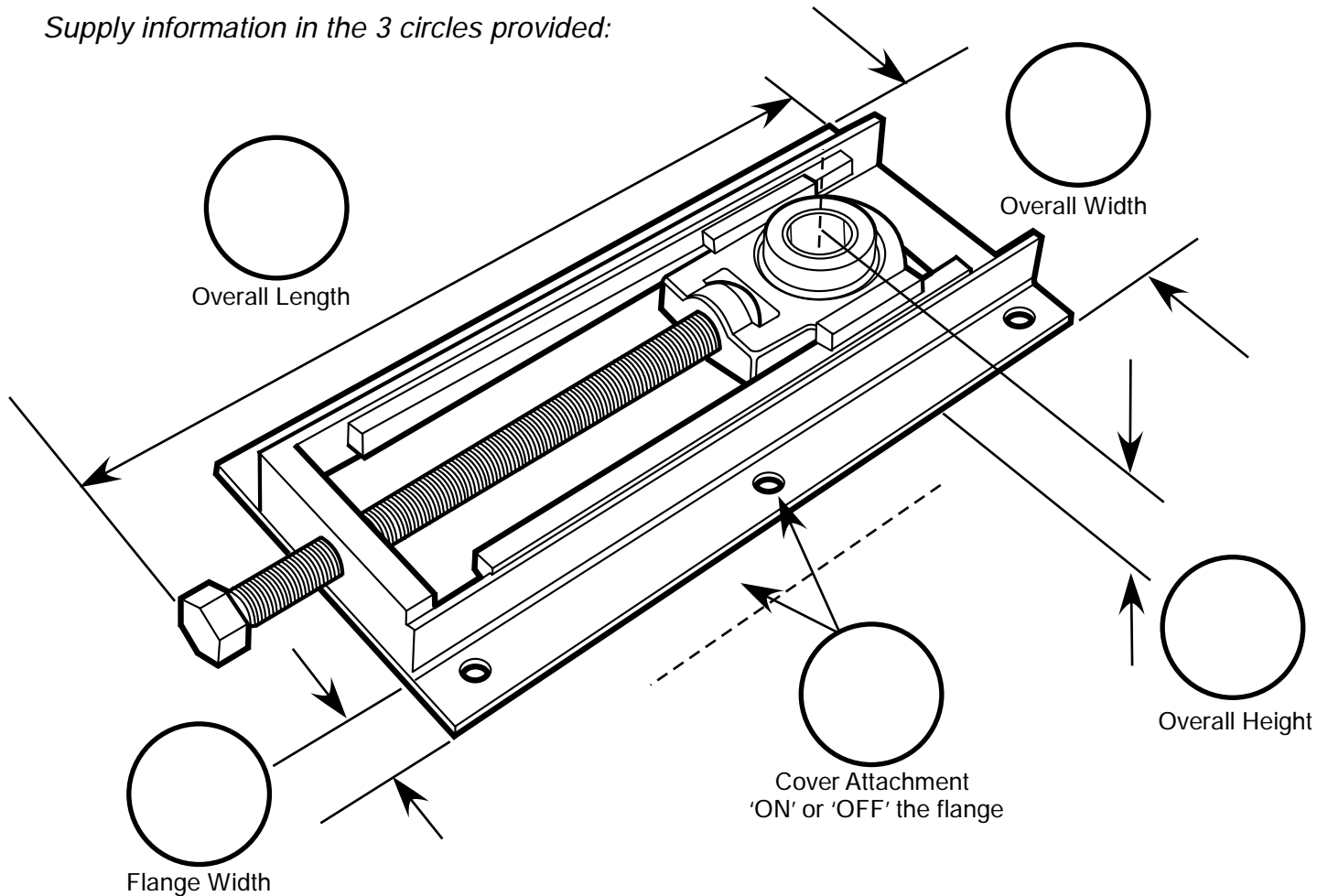


Machine Guard & Cover Co.

We've Got You Covered!

Take-up Bearing Cover Request Sheet

Supply information in the 3 circles provided:



Other Features:

Company: _____ Contact e-mail: _____

Name: _____ Contact phone: _____

e-mail or FAX this sheet to:

www.machineguard.com
office@machineguard.com
Fax: 877-482-7313



Machine Guard & Cover Co.

6187 136th Avenue
Holland, MI 49424
888 - 482-7371