

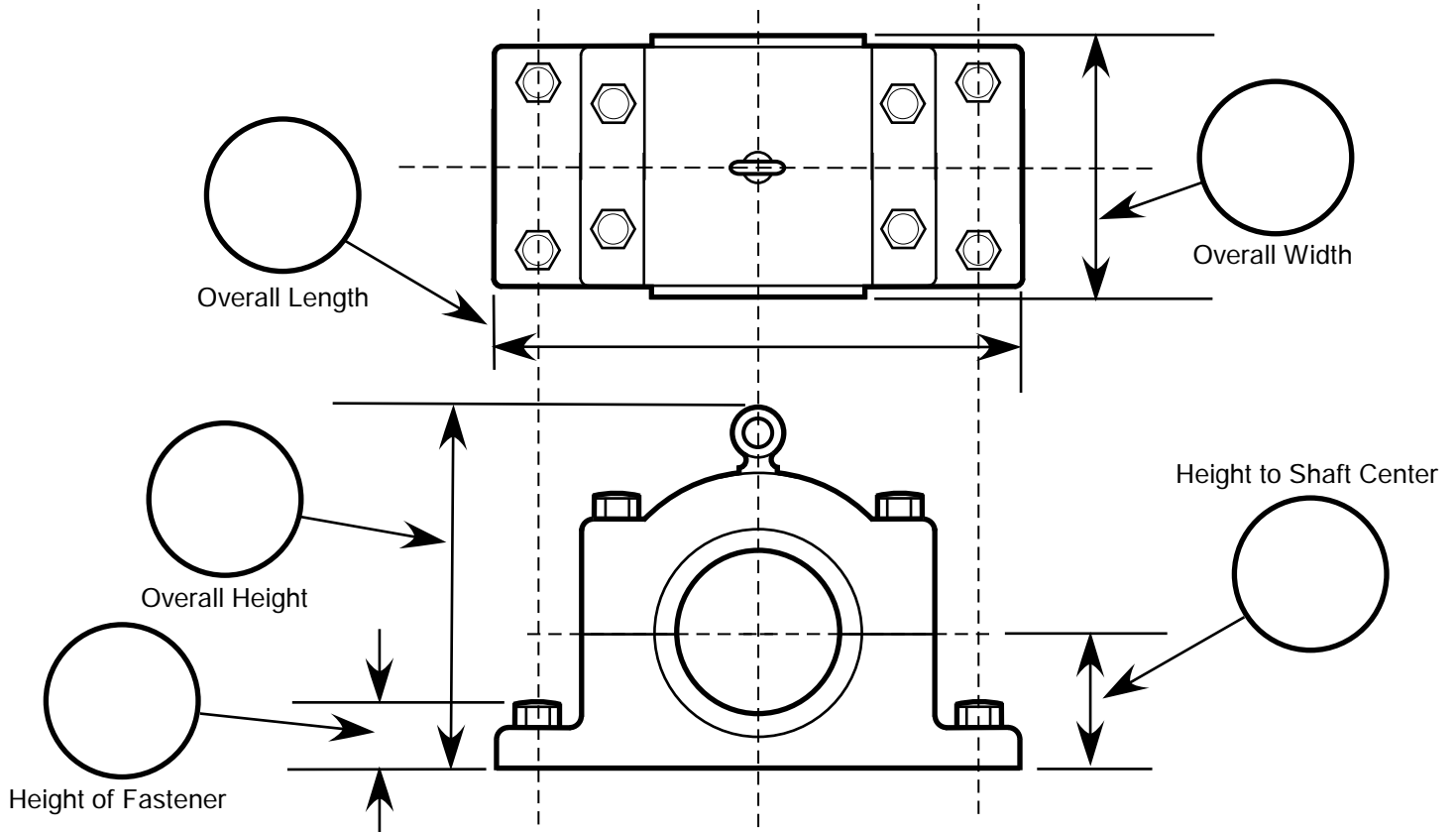


**Machine Guard & Cover Co.**

*We've Got You Covered!*

# Plummer Bearing Cover Request Sheet

Supply information in the 5 circles provided:



*Use the second sheet for more information*

Other Features:

Company: \_\_\_\_\_ Contact e-mail: \_\_\_\_\_

Name: \_\_\_\_\_ Contact phone: \_\_\_\_\_

*e-mail or FAX this sheet to:*

www.machineguard.com  
office@machineguard.com  
Fax: 877-482-7313



**Machine Guard & Cover Co.**

6187 136th Avenue  
Holland, MI 49424  
888 - 482-7371

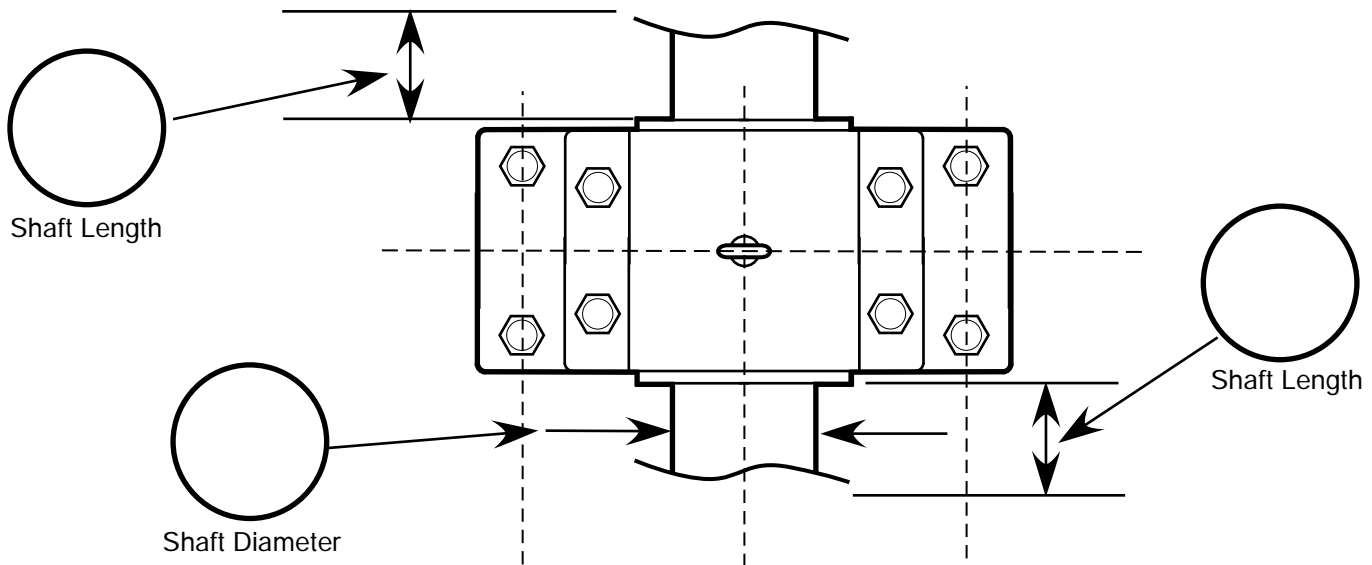


Machine Guard & Cover Co.

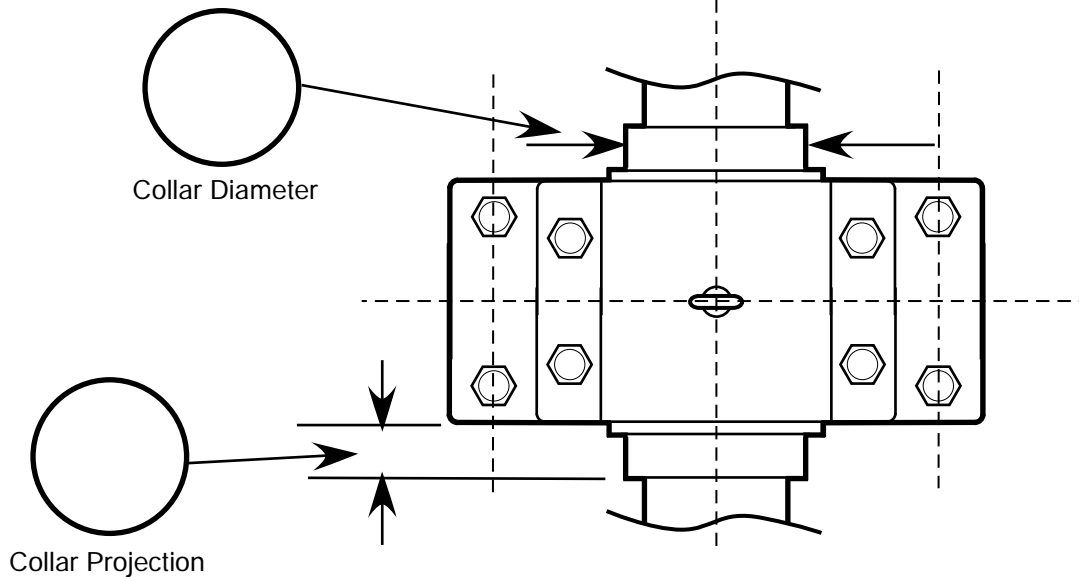
We've Got You Covered!

# Plummer Bearing Cover Request Sheet 2

Supply information in the 3 circles as required:



Supply information in the 2 circles if required:



www.machineguard.com  
office@machineguard.com  
Fax: 877-482-7313



Machine Guard & Cover Co.

6187 136th Avenue  
Holland, MI 49424  
888 - 482-7371