

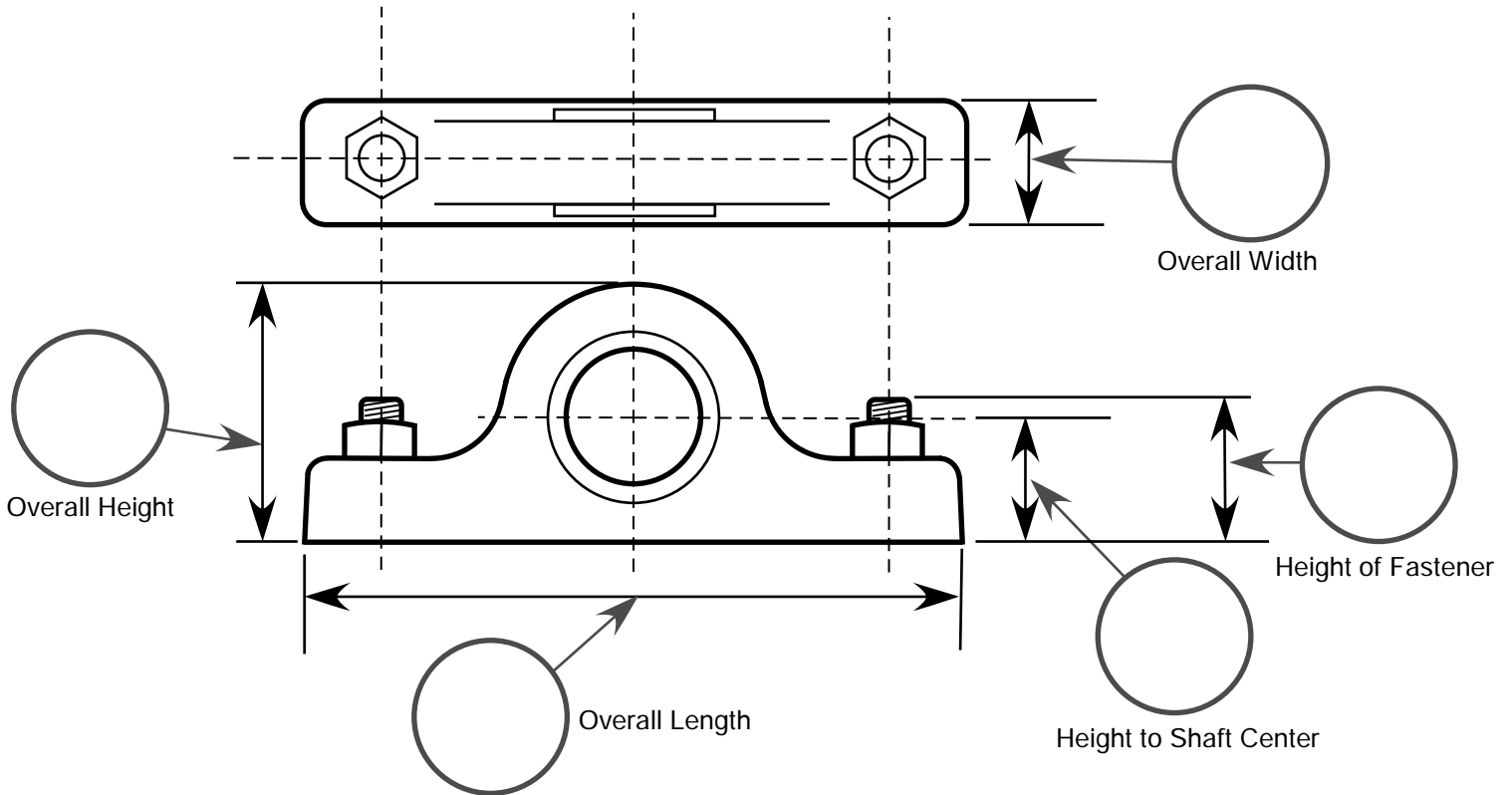


Machine Guard & Cover Co.

We've Got You Covered!

Pillow Block Cover Request Sheet

Supply information in the 5 circles provided:



Use the second sheet for more information

Other Features:

Company: _____ Contact e-mail: _____

Name: _____ Contact phone: _____

e-mail or FAX this sheet to:

www.machineguard.com
office@machineguard.com
Fax: 877-482-7313



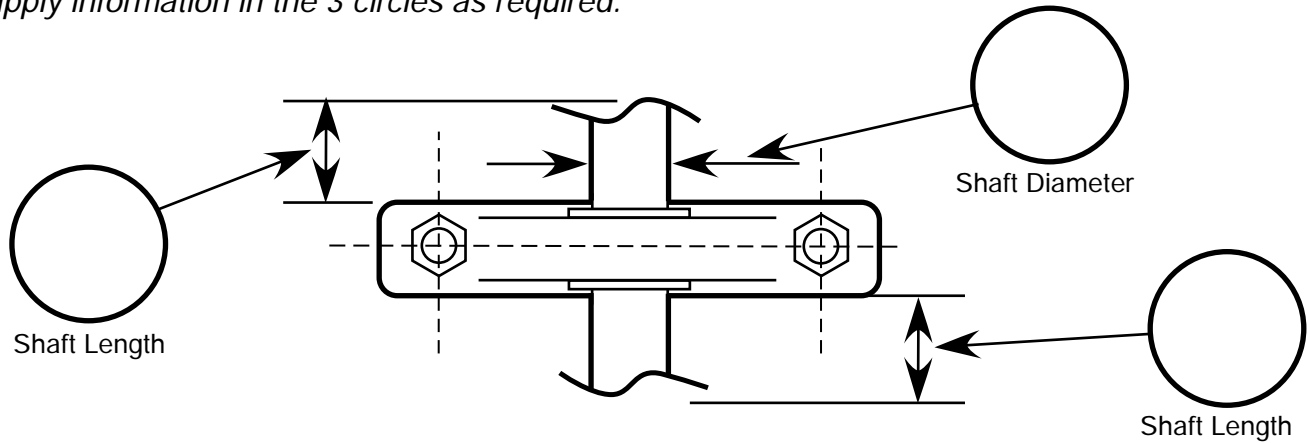
Machine Guard & Cover Co.

6187 136th Avenue
Holland, MI 49424
888 - 482-7371

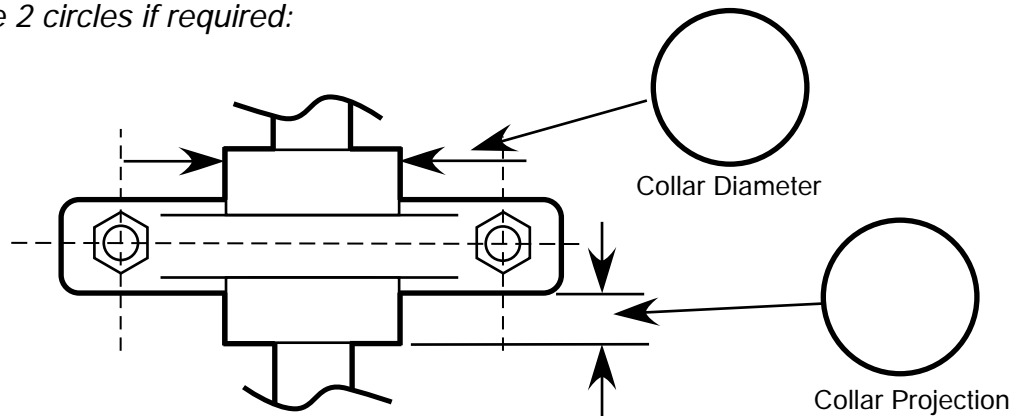


Pillow Block Cover Request Sheet 2

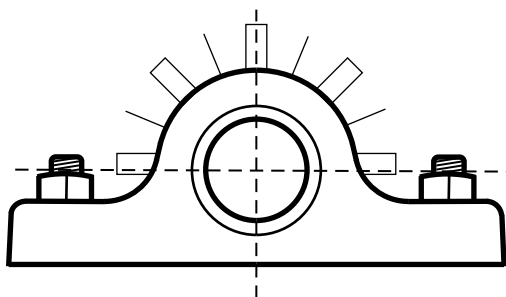
Supply information in the 3 circles as required:



Supply information in the 2 circles if required:



Grease Fitting:



Note the position of any grease fittings by marking a box in the bearing drawing.

