

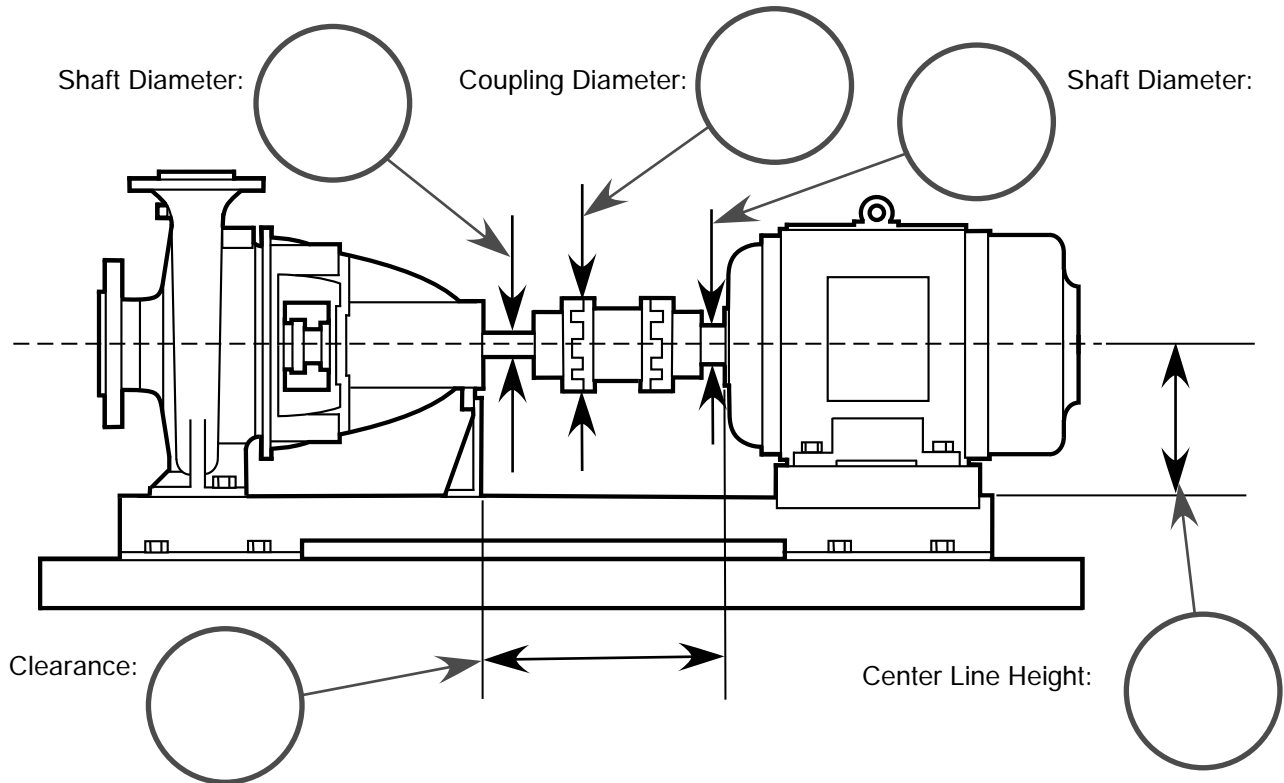


Machine Guard & Cover Co.

We've Got You Covered!

Coupling Cover Request Sheet

Supply information in the 5 circles provided:



NOTES:

- The coupling cover will be 1/2" smaller than the Clearance dimension.
- The cover slot for driveshafts up to 1" Dia. will be 1/2" larger.
- The cover slot for driveshafts from 1+" to 3" Dia. will be 1" larger.
- The cover slot for driveshafts from 3+" to 6" Dia. will be 2" larger.
- For any shaft over 6", we will call you for specific details

Other Features:

Company: _____ Contact e-mail: _____

Name: _____ Contact phone: _____

e-mail or FAX this sheet to:

www.machineguard.com
 office@machineguard.com
 Fax: 877-482-7313



Machine Guard & Cover Co.

6187 136th Avenue
 Holland, MI 49424
 888 - 482-7371